

Unite Pole Mount

Carbon Fiber Pole Mount with adjustable bracket holder accommodates tablets 7"-11" & up to 0.65" thick

SKU: MNU118
MSRP: \$109.99

The Joy Factory's Award-winning mounts are now available for tablets beyond the iPad. These universal mounting solutions are perfect for any 7"-11" tablet keeping your iPad mini, Surface 3, Nexus, or Galaxy at the perfect angle for utmost convenience. The Unite Pole Mount is the best solution for attaching an iPad or tablet alike to a round surface with very minimum look. The single carbon fiber arm of the Pole Mount reliably mounts your iPad or tablet while keeping it nearby. This tablet mount is ideal for poles, and rods. Attach your iPad or tablet to a microphone stand or camera tripod via the Unite Pole Mount. While keeping your microphone or camera mounted, the Pole mount can be attached to one of the pole support of the tripod to add an iPad or tablet to your existing setup for easy preview. Perfect for photo/video shooting or editing by using a tablet as a large viewfinder. The Unite Pole mount can also be used as a secondary support for an accessory device like a keyboard where it is needed at check out. The Pole Mount attaches to rods from the smallest 0.78" to the widest 1.25" in diameter. Its single carbon fiber arm is perfect for whenever you need to keep your tablet nearby, but not in your hands



- Rigid aluminum alloy clamp pole construction for durability in mind
- Three individual inserts to accommodate poles between 0.78" to 1.25" in diameter
- Can be used as a second arm to hold another tablet device or peripheral in a POS environment
- Mount built with lightweight durable carbon fiber arms
- Highly flexible joints allow up to 360 rotation
- Adjustable tray accommodates 7"-11" tablets



BENEFITS

- Configurable
- Ergonomic
- Expand Usability
- Flexible
- High Quality
- Increase Productivity

FEATURES



360° Rotation



Adjustable



Carbon Fiber



High Grade Material



Quick Positioning



Universal Holder

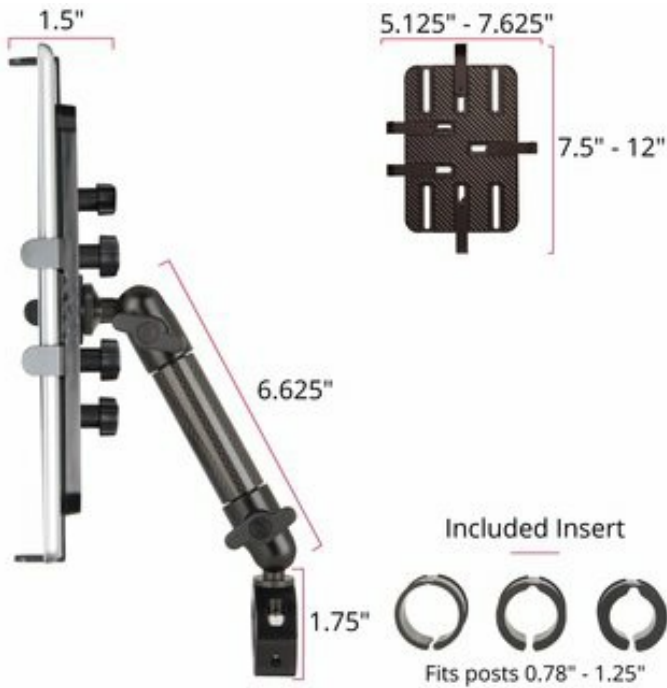
The Joy Factory Inc.

16811 Hale Ave Bldg D, Irvine, CA 92606 | sales@thejoyfactory.com | T : 949.216.8869 | F : 949.216.8869 | www.thejoyfactory.com

  
Protect Secure Position

JOY
thejoyfactory

TECHNICAL SPECIFICATIONS



Mount Specifications

Material: Carbon Fiber

Weight: 1lb

Length: 6" arm x 1

Pole Diameter Support: 0.78" to 1.25"

Joints: 0.79" spherical joint at base x 1, 0.79" spherical joint at tablet connection x 1

Connection: Adjustable Brackets

Mount Load Capacity: Up to 1.5 lbs Tray Capacity:

Width Minimum-Maximum: 7.5" - 12"

Height Minimum-Maximum: 5.125" - 7.625"

Depth Maximum: 0.65"

The information on this data sheet is subject to change at any time at the discretion of The Joy Factory

Unite Pole Mount

SKU: MNU118

Product type: Mounts

MSRP: \$109.99

PRODUCT SPECIFICATIONS

Compatible with: Universal

Product height: 12.1 in

Product width: 7.75 in

Product thickness: in

Product weight: 1 lb

Package height: 4 in

Package width: 9 in

Package depth: 12 in

Package weight: 2.15 lb

UPC: 817713016651

Warranty:

Certifications:

Rating:

Package content: Mount and Case